



Title

Wall Switch Sensors WLS 1
Master / Master Three-way Wiring Diagram
Up to 4 Sensors Switching Individual Loads
Line Voltage Switching

Steinel America, Inc.
(800) 852-4343

WLS 1 Wiring Diagram

| Scale | Drawing# | Date | Rev. |
|-------|----------|----------|------|
| None | 03-WLS 1 | 11/18/14 | 0 |

*WLS 1 - Master / Master Wiring

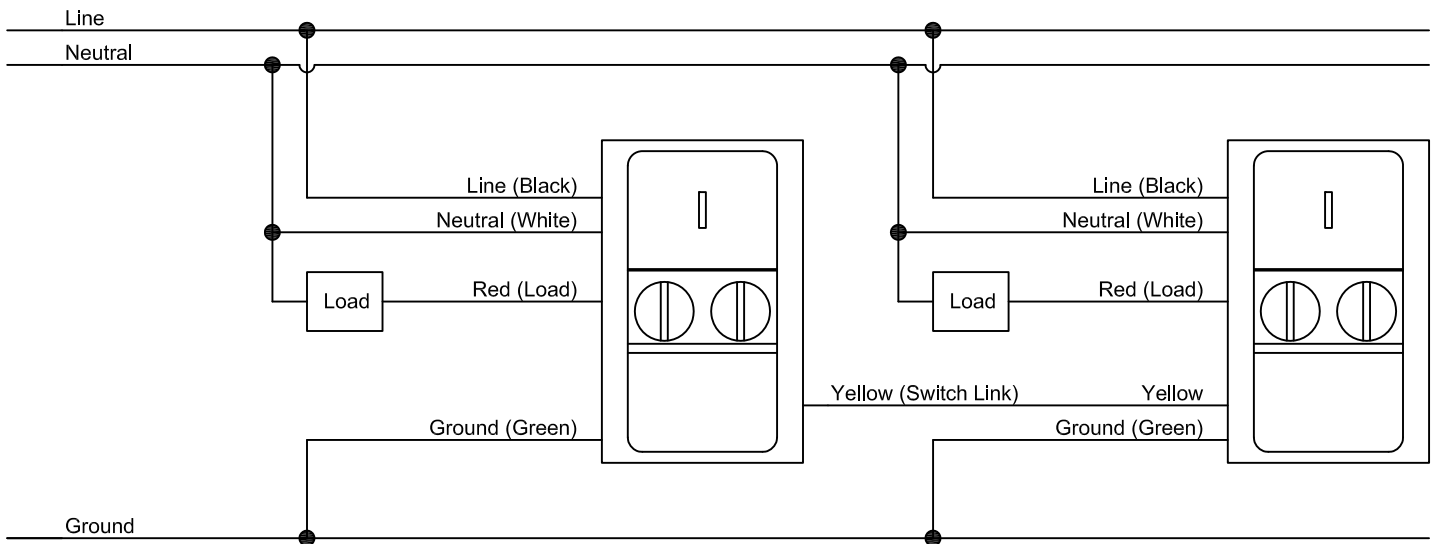
IR WLS 1, US WLS 1, DT WLS 1

Before installation, make sure that power has been switched off at the breaker and check that the circuit is dead with a voltage tester.

The leads consist of five wires:

1. Line / Hot (BLACK)
2. Neutral (WHITE)
3. Load (RED)
4. Ground (GREEN)
5. Switch Link (YELLOW)

If in doubt, identify the individual conductors with a voltage tester or contact a qualified electrician.



Note: Three-way Wiring - up to maximum 4 sensors can be grouped via "Switch Link."