



Title

Wall Switch Sensors WLS 1  
Master / Master Three-way Wiring Diagram  
Up to 4 Sensors with Individual A/B Loads  
Line Voltage "Multi-way" Switching

Steinel America, Inc.  
(800) 852-4343

WLS 2 Wiring Diagram

Scale	Drawing#	Date	Rev.
None	03-WLS 2	11/18/14	0

### \*WLS 2 - Master / Master Wiring

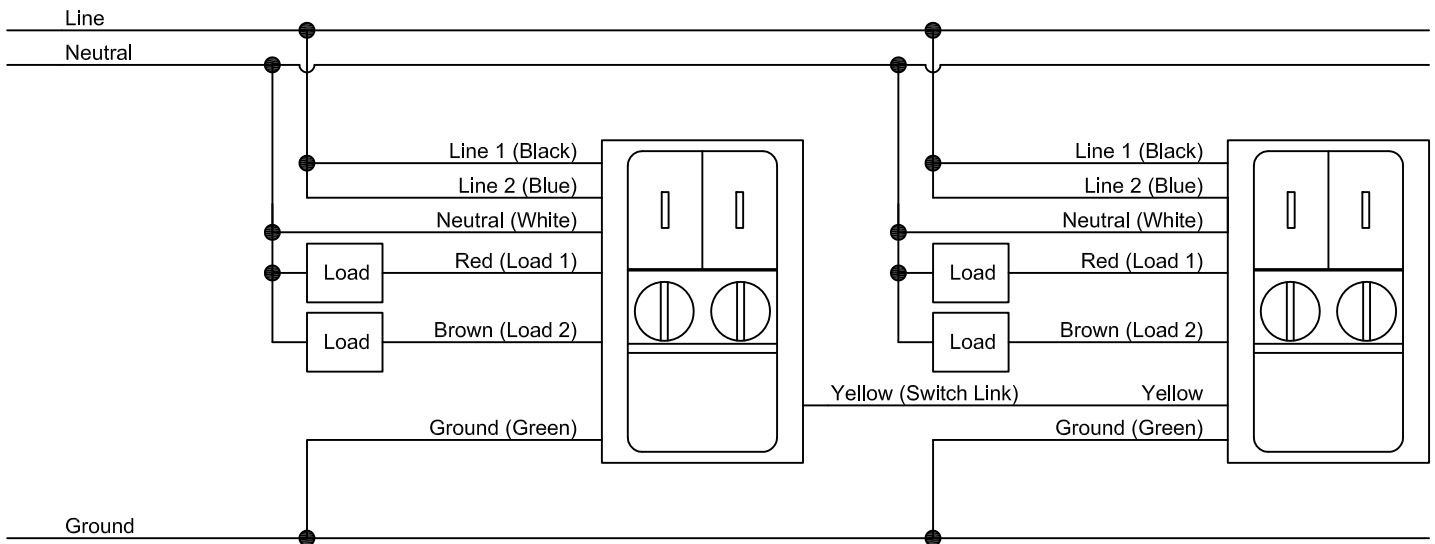
IR WLS 2, US WLS 2, DT WLS 2

Before installation, make sure that power has been switched off at the breaker and check that the circuit is dead with a voltage tester.

The leads consist of seven wires:

1. Line 1 / Hot (BLACK)
2. Line 2 / Hot (BLUE)
3. Neutral (WHITE)
4. Load 1 (RED)
5. Load 2 (BROWN)
6. Ground (GREEN)
7. Switch Link (YELLOW)

If in doubt, identify the individual conductors with a voltage tester or contact a qualified electrician.



Note: Three-way Wiring - up to maximum 4 sensors can be grouped via "Switch Link."