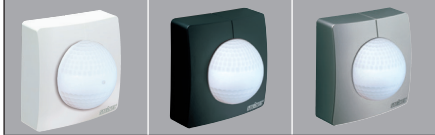


IS 3360-24

Ceiling Mount Occupancy Sensor



Project Name:
Location:



IS 3360-24 Specifications

Item No.	61133 white 61141 black decorative cover 61142 inox decorative cover
Voltage	24 VDC, 12 mA
Mounting	ceiling
Sensing Technology	passive infrared (PIR)
Time Delay Setting	5 seconds to 15 minutes
Light Level Setting	.2-200 footcandles 2-2000 lux
Environment	IP20 rated, -4°F to +122°F, -20°C to +50°C
Coverage	360° horizontal, 180° vertical, up to 25 ft radial reach, up to 130 ft tangential reach
Sensors	3 dual element infrared pyroelectric detectors
Lens Design	1416 switching zones, 11 detection levels
Dimensions (LxWxD)	3.74 x 3.74 x 2.56 in, 95 x 95 x 65 mm,
Warranty	5 years
Certifications	C-UL-US Listed, RoHS Compliant, CA Compliant

The IS 3360-24 is part of the STEINEL family of high performance commercial occupancy sensors. With 360° of uninterrupted coverage, the IS 3360-24 provides exceptional lighting control in a wide range of spaces.

IS 3360-24 sensors are passive infrared and respond to heat radiated from human body motion. They mount on a ceiling and turn lighting ON either automatically with occupancy or manually using a low voltage wall switch and the manual on mode of a STEINEL power pack. After a period of time where no occupancy has been detected, the sensor switches lighting OFF.

Applications

Ceiling mount applications where 360° coverage is needed, open office spaces, conference rooms, lobbies.

Key Features:

- 360° coverage with up to 25 ft radial reach and 130 ft tangential reach
- Shrouds allow users to easily customize the coverage area; the moving lens (mechanical adjustment) fine tunes coverage even further
- 3 pyroelectric detectors with 1416 switching zones provides highly accurate small motion detection
- Automatically adjusts to temperature changes keeping sensitivity and coverage consistent
- The hold off light level feature allows lighting to remain off during daylight regardless of occupancy. User-friendly “teach mode” automatically sets the daylight level, saving time with commissioning.



Voltage

PIR

Passive Infrared Technology



360° Coverage Max 60 Ft

IP20

IP20 Rated

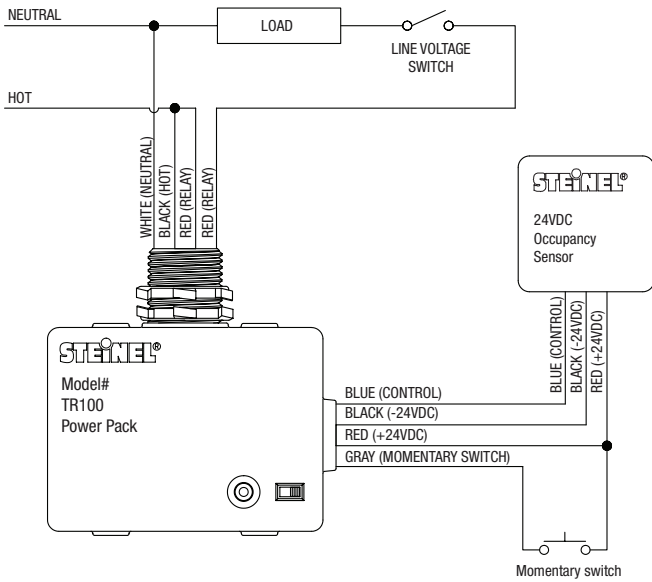
Ceiling Mount

Mounting

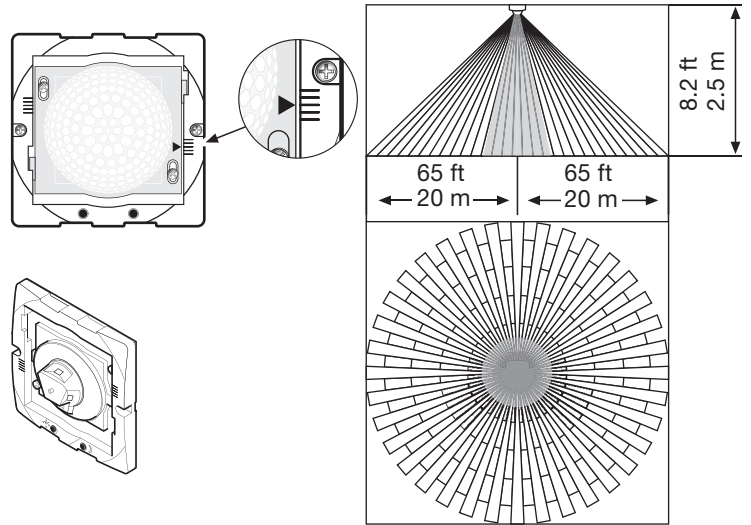
IS 3360-24

Ceiling Mount Occupancy Sensor

Wiring

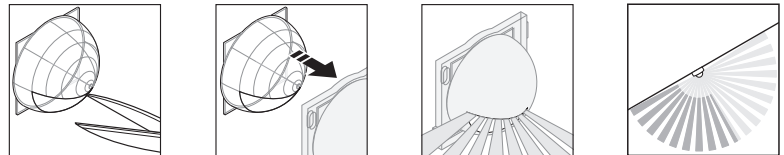


Coverage



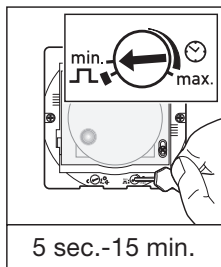
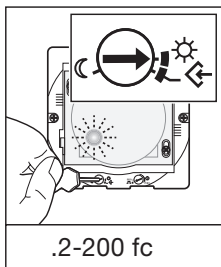
The shaded area on the coverage pattern represents minor motion coverage. Minor motion coverage, typical for an office environment, is 13 ft (4 m) radius.

Coverage Adjustment



Shrouds supplied with each unit allow users to adjust coverage as needed.

Setting



Mounting

