

IS 345 HB DCS

Digital Control Solution - Occupancy Detector



With a unique, specially designed detection lens, the IS 345 HB DCS motion detection sensor is ideal for controlling lights in long high bay corridors or aiseways. The sensor is part of the STEINEL family of high performance commercial occupancy sensors.

IS 345 HB DCS sensors are passive infrared and respond to heat radiated from human body motion. After a period of time where no occupancy has been detected, the sensor switches lighting OFF.

The Digital Control Solution (DCS) group of sensors are available in multiple technologies for the control of heating, ventilation and air conditioning as well as lighting. Time saving wireless commissioning is accomplished via Bluetooth connection from a Smart Phone or Tablet to a DCS Controller, which communicates to the sensor by the 2 wire bus.

Applications

Ideal for large heights, such as high-bay warehouses, depots, machine shops, aisles, corridors and other large terminal spaces.

Project Name:
Location:

72501	65330	69196	
80208	72660		

IS 345 HB DCS Specifications

Item No.	72501IS 345 HB DCS
Accessories	65330 WGC wire guard cage 69196 DCS CONNECT 80208 DCS Controller 72660 IS FMA DCS
Voltage	12 - 22.5 VDC (6 mA)
Device Equivalent	3
Mounting	Ceiling
Sensing Technology	2 infrared pyroelectric detectors (PIR)
Time Setting	Selectable over the DCS App. Up to 30 mins.
Light Level Setting	.2 - 200 fc / 2 - 2,000 lux
Environment	IP54 rated, -40°F to +158°F, -40°C to +70°C
Coverage at 40 ft. Mounting Height	180° detection angle, 45° angle of aperture, radial: 100 x 13 ft (30 x 4 m.) tangential: 106 x 13 ft (32 x 4 m.)
Installation Height	13-50 ft (4-15 m)
Lens Design	280 switching zones, 5 detection levels
Dimensions (LxWxD)	3.74 x 3.74 x 3.11 in 95 x 95 x 79 mm
Warranty	5 years
Certifications	C-UL-US Listed, RoHS Compliant, UL 2043 Plenum Rated, CA Energy Code Compliant

Key Features:

- Low voltage (12 - 23 VDC) digital sensor for use with a DCS Controller
- Wireless configuration via Steinel App
- Shrouds allow users to easily customize the coverage area; the moving lens (mechanical adjustment) fine tunes coverage even further
- 2 pyroelectric detectors with 280 switching zones provides sensitive motion detection for corridors
- Automatically adjusts to temperature changes keeping sensitivity and coverage consistent

PIR

Passive Infrared Technology



Corridor Coverage

IP54

IP54

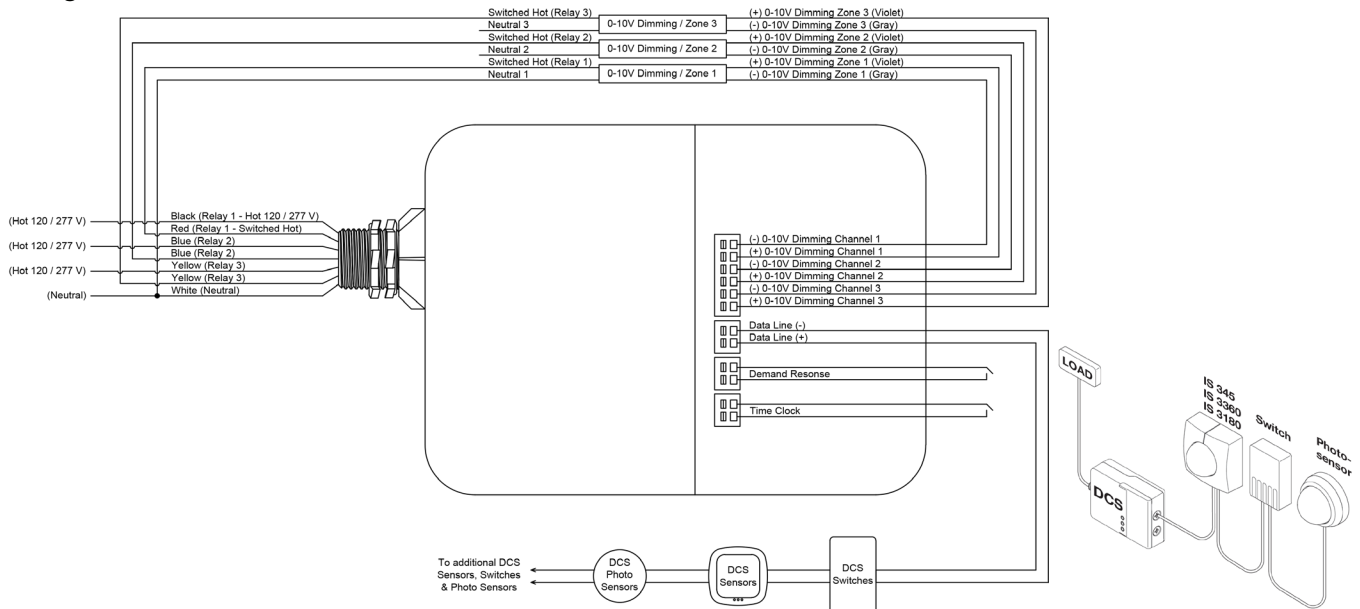
Ceiling
or
Fixture

Mounting

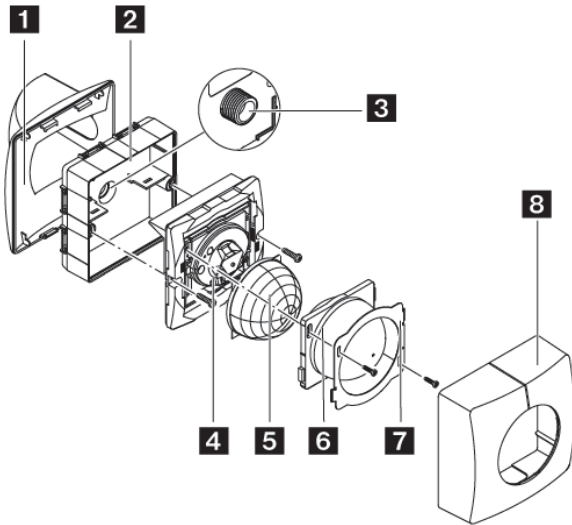
IS 345 HB DCS

Digital Control Solution - Occupancy Detector

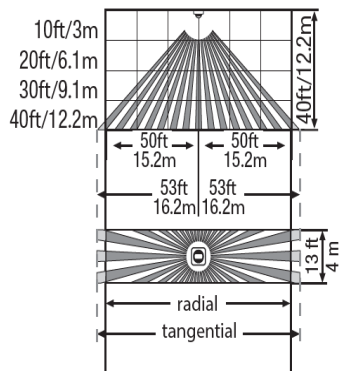
Wiring



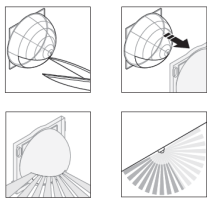
Product Overview



- 1 Fixture Mount Adapter (accessories) not included
- 2 Back housing
- 3 1/2" (trade size) threaded nipple
- 4 Front housing
- 5 Shroud
- 6 Lens
- 7 Press plate
- 8 Design cover



Coverage



The IS 345 HB DCS has an aisle way coverage of up to 100 feet when mounted at 40 ft.

Mounting

