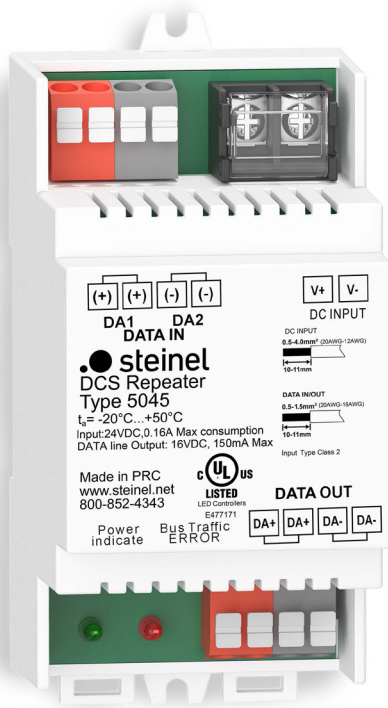


DCS Repeater

Digital Control Solution



Project Name:
Location:

80208	69196		

DCS Repeater Specifications

Item No.	88606 DCS Repeater
Accessories	69196 DCS CONNECT 80208 DCS Controller
Voltage	24 V +/- 21% (160 mA)
Power Supply	24 V DC, min. 160 mA
Current Supply	130 mA
Wire Cross Section	0.002 - 0.04 in 0.5 - 1.5 mm
Environment	-4°F to +122°F, -20°C to +50°C
Mounting	DIN rail standard 1.37 in (35 mm)
IP Rating	IP20
Dimensions (LxWxD)	4.3 x 2.1 x 2.5 in 110 x 53 x 65 mm
Warranty	5 years
Certifications	C-UL-US Listed, RoHS Compliant, UL 2043 Plenum Rated, CA Energy Code Compliant

The DCS Repeater adds mA power supply to the Dataline allowing for additional sensors and switches to be added to STEINEL America's DCS or DCS Connect. This saves the cost of purchasing and installing additional DCS or DCS Connects on a job that simply needs more components.

Applications

Ideal for any applications where the DCS or DCS Connect is used.

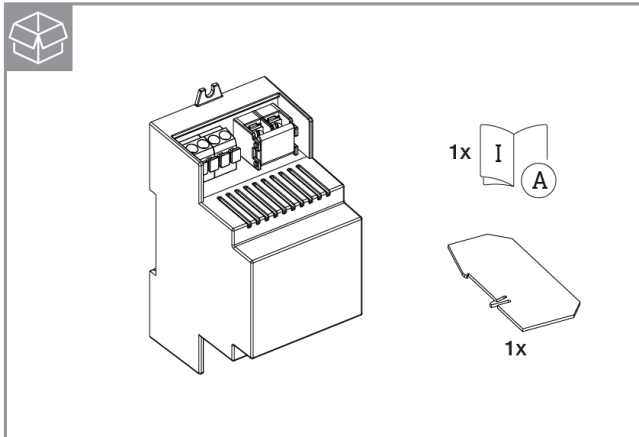
Key Features:

- Adds mA power supply to the dataline
- Allows to add additional sensors and switches to one DCS or DCS Connect

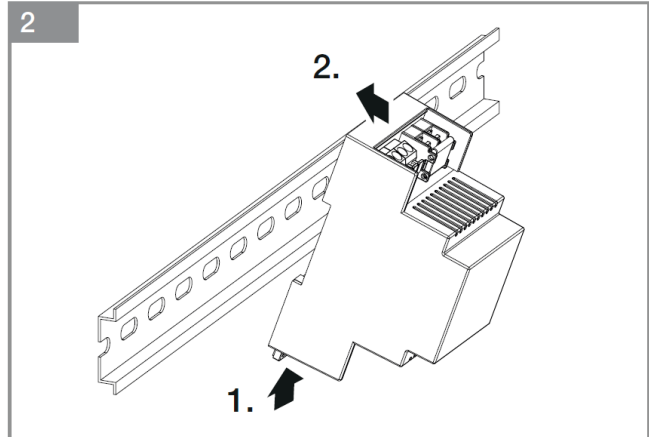
DCS Repeater

Digital Control Solution

Product Overview



Mounting



Wiring

